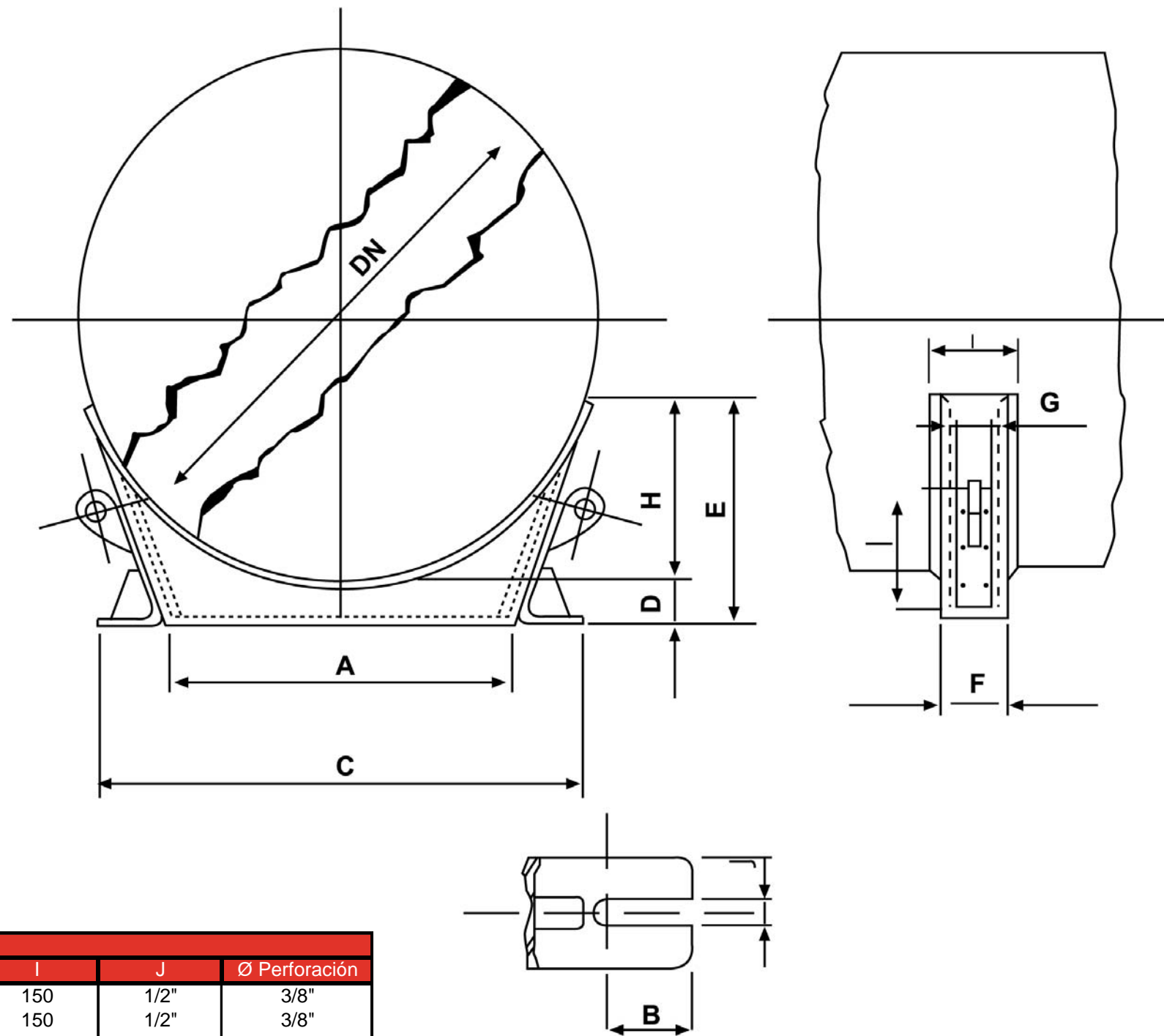




## Cama Soporte Estanque de Transporte Horizontal



Dimensiones de Cama											
DN	A	B	C	D	E	F	G	H	I	J	Ø Perforación
1000	730	65	990	150	525	100	60	375	150	1/2"	3/8"
1100	810	65	1070	150	565	100	60	415	150	1/2"	3/8"
1200	890	65	1150	150	600	100	60	450	150	1/2"	3/8"
1400	1055	65	1315	150	675	140	90	525	200	1/2"	3/8"
1500	1135	65	1395	150	750	140	90	555	200	5/8"	1/2"
1800	1215	65	1475	150	715	140	90	600	200	5/8"	1/2"